



**AIR BALANCING DEVICES
OPPOSED BLADE DAMPER • STEEL
ROUND OR OVAL DUCT MOUNT
MODELS: OBDR & OBDO TYPE CD**

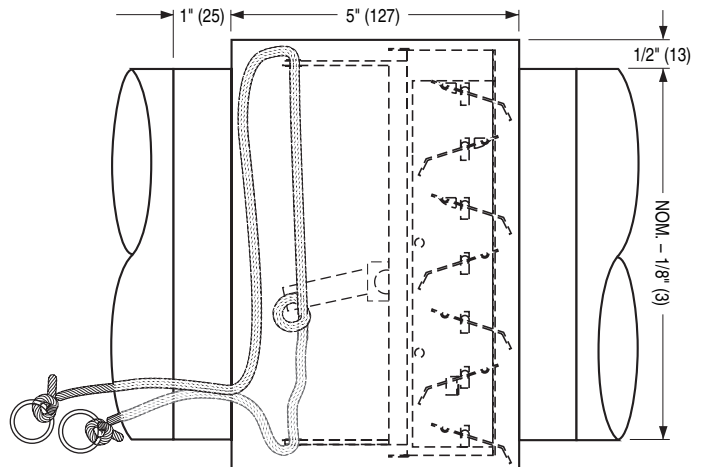
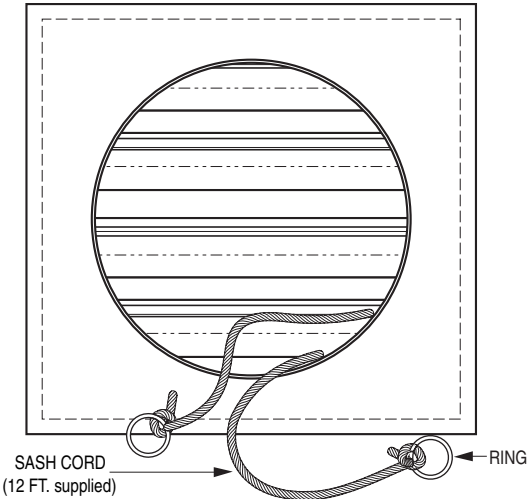
MODEL:

Model OBDR Round Duct Transition Collars

Model OBDO Oval Duct Transition Collars

OPERATOR TYPE:

Type CD Cord Operator



Minimum Size = 3" (76) dia. or 4" x 3" (102 x 76) flat oval.
Maximum Size = 20" dia. or 20" x 20" (508 x 508) flat oval.

DESCRIPTION:

1. Material: Corrosion-resistant steel. Mill finish.
2. Opposed blade damper features roll-formed construction. Gang operated blades on 1" (25) centers move simultaneously only in opposite directions and close at 45° to permit precise metering of the air with a minimal disturbance to the air pattern.
3. Damper is mounted in a transition enclosure with mounting collars sized for nominal duct connection. Designed to be installed independently of the air outlet in the duct behind the grille or diffuser. Supplied with a cord operator for remote operation from the grille or diffuser face.

SPECIAL FEATURES:

_____.

SCHEDULE TYPE:		Dimensions are in inches (mm).			
PROJECT:					
ENGINEER:	DATE	B SERIES	SUPERSEDES	DRAWING NO.	
CONTRACTOR:	12 - 12 - 05	ACC.DIF	NEW	ACC.ABD-8A	