

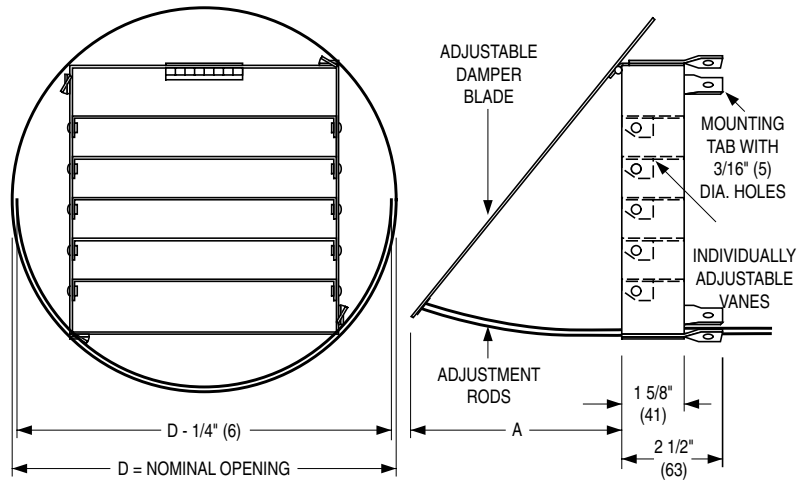
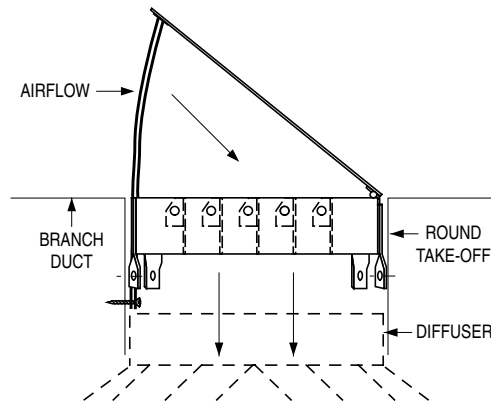
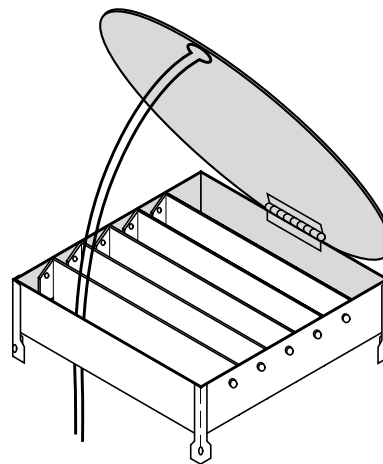
AIR BALANCING DEVICES
DAMPER WITH EQUALIZING GRID
FOR ROUND NECKS
MODEL: DEGR
DESCRIPTION:

1. Material: Corrosion-resistant steel.
2. The Nailor DEGR is a duct mounted combination damper with grid for use in round ducts.
3. The Nailor DEGR performs as a volume extractor with dampering to near shut-off and equalizes the airflow into the duct drop and diffuser neck, also providing directional control.

The individually adjustable vanes are friction pivoted to hold the desired setting.

The hinged damper may be adjusted to any angle using the adjustment rods, which are then secured to the inside of the duct drop with a s. m. screw through a tubing clamp.

4. Shipped loose for field installation.
 Recommended method of installation is flush with the take-off collar with the vanes perpendicular to the airflow. The damper opens upstream to divert the air.


TYPICAL INSTALLATION:

DETAIL:


NECK DIA.	DIMENSION A @ 45°
6	3 1/2 (89)
8	4 3/4 (121)
10	6 (152)
12	7 1/4 (184)
14	8 3/8 (213)
15	9 (229)
16	9 5/8 (244)
18	10 3/4 (273)
20	12 (305)
24	14 1/2 (368)

SCHEDULE TYPE:
PROJECT:
ENGINEER:
CONTRACTOR:

Dimensions are in inches (mm).

DATE
B SERIES
SUPERSEDES
DRAWING NO.

25 - 8 - 99R

ACC.DIF.

2 - 95

ACC.DEGR