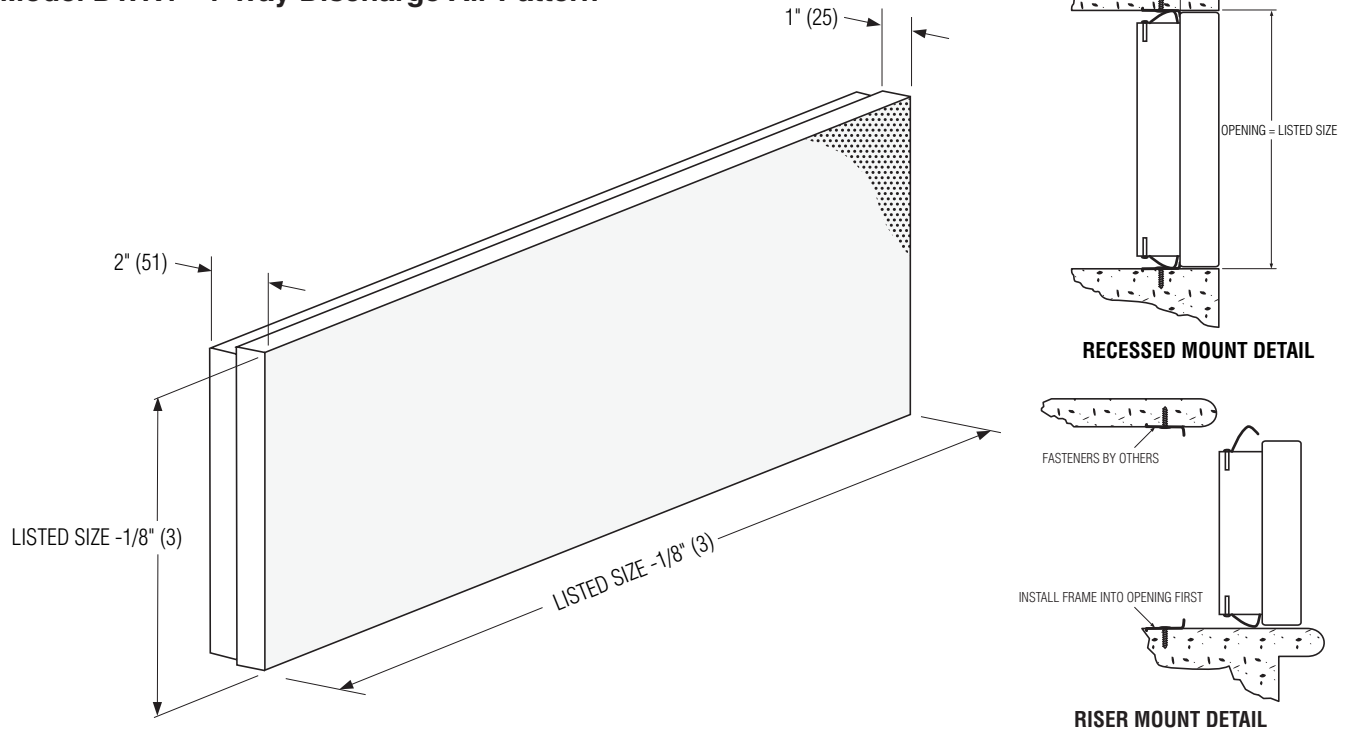




**RECTANGULAR 1-WAY DISPLACEMENT DIFFUSER
RISER/RECESSED WALL MOUNT • FLAT FACE
STEEL PERFORATED FACE
MODEL: DWR1**

Model DWR1 • 1-Way Discharge Air Pattern



DESCRIPTION:

1. Construction: Heavy gauge corrosion-resistant coated steel. Standard 18 ga. (1.3) perforated face plate has 3/32" (2.38) dia. holes on 3/16" (4.76) staggered centers, providing 23% free area.
2. An equalization baffle is provided behind and secured to the diffuser face to ensure an even distribution of low velocity air.
3. Riser/Recessed in-wall mounted displacement diffusers are especially designed to supply air at a very low velocity to minimize the potential for drafts and enhance occupant comfort.
4. Minimum size is 6" x 4" (152 x 102).
Maximum size is 90" x 42" (2286 x 1067).
5. Diffuser is supplied with mounting frame for spring clip mounting into wall or riser opening.
6. Standard finish is AW Appliance White polyester powder coat.

OPTIONS:

1. 14GP Heavy Duty 14 ga.(2.0) perforated face
2. Finish:
 - BK Black
 - AL Aluminum
 - SP Special _____ .
3. Other _____ .

SCHEDULE TYPE:	
PROJECT:	
ENGINEER:	
CONTRACTOR:	

Dimensions are in inches (mm).

DATE	B SERIES	SUPERSEDES	DRAWING NO.
2 - 10 - 10	DW	9 - 14 - 06	DWR1