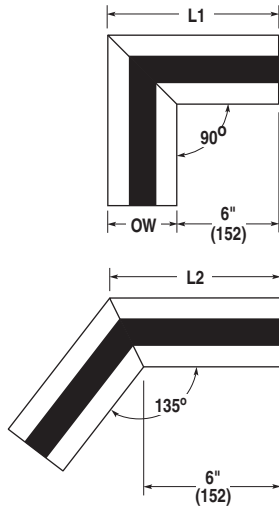


Mitered Corners

- FLMC10 • 1" (25) Slot
- FLMC15 • 1 1/2" (38) Slot
- FLMC20 • 2" (51) Slot
- FLMC25 • 2 1/2" (64) Slot
- FLMC30 • 3" (76) Slot

The standard mitered corners are 90° and 135°. Units are factory welded with precision to match and align with the associated straight leg.

Units are supplied with factory installed blank-offs in the slot (painted black) and are inactive. Other angles are available.

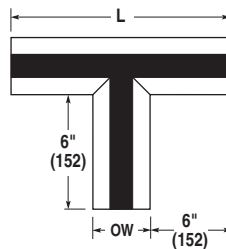
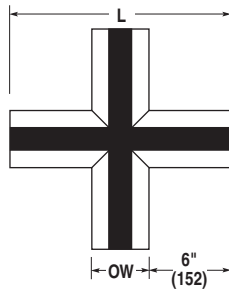


| No. of Slots | Slot Width | Border AA, BB | | Border GG | |
|--------------|------------|----------------|----------------|----------------|----------------|
| | | L1 | L2 | L1 | L2 |
| 1 | 1 (25) | 9 9/16 (243) | 7 15/32 (190) | 8 11/16 (221) | 7 1/8 (181) |
| | 1 1/2 (38) | 10 9/16 (268) | 7 7/8 (200) | 9 11/16 (246) | 7 17/32 (191) |
| | 2 (51) | 11 9/16 (294) | 8 5/16 (211) | 10 11/16 (272) | 7 15/16 (202) |
| | 2 1/2 (64) | 12 9/16 (319) | 8 23/32 (221) | 11 11/16 (297) | 8 11/32 (212) |
| | 3 (76) | 13 9/16 (344) | 9 1/8 (232) | 12 11/16 (322) | 8 3/4 (222) |
| 2 | 1 (25) | 11 31/32 (304) | 8 15/32 (215) | 11 3/32 (282) | 8 3/32 (206) |
| | 1 1/2 (38) | 13 31/32 (355) | 9 5/16 (237) | 13 3/32 (333) | 8 29/32 (226) |
| | 2 (51) | 15 31/32 (406) | 10 1/8 (257) | 15 3/32 (383) | 9 3/4 (248) |
| | 2 1/2 (64) | 17 31/32 (456) | 10 31/32 (279) | 17 3/32 (434) | 10 9/16 (268) |
| | 3 (76) | 19 31/32 (507) | 11 25/32 (299) | 19 3/32 (485) | 11 13/32 (290) |

Transitions

Type C Cross

- FLC10 • 1" (25) Slot
- FLC15 • 1 1/2" (38) Slot
- FLC20 • 2" (51) Slot
- FLC25 • 2 1/2" (64) Slot
- FLC30 • 3" (76) Slot



Type T Tee

- FLT10 • 1" (25) Slot
- FLT15 • 1 1/2" (38) Slot
- FLT20 • 2" (51) Slot
- FLT25 • 2 1/2" (64) Slot
- FLT30 • 3" (76) Slot

Transitions are inactive. Blank-offs installed at factory. Not available in 2 slot version.

| No. of Slots | Slot Width | Border AA, BB | | Border GG | |
|--------------|------------|---------------|---------------|-------------|----------------|
| | | OW | L | OW | L |
| 1 | 1 (25) | 3 9/16 (90) | 15 9/16 (395) | 2 3/4 (70) | 14 11/16 (373) |
| | 1 1/2 (38) | 4 9/16 (116) | 16 9/16 (421) | 3 3/4 (95) | 15 11/16 (398) |
| | 2 (51) | 5 9/16 (141) | 17 9/16 (446) | 4 3/4 (121) | 16 11/16 (424) |
| | 2 1/2 (64) | 6 9/16 (167) | 18 9/16 (471) | 5 3/4 (146) | 17 11/16 (449) |
| | 3 (76) | 7 9/16 (192) | 19 9/16 (497) | 6 3/4 (171) | 18 11/16 (475) |

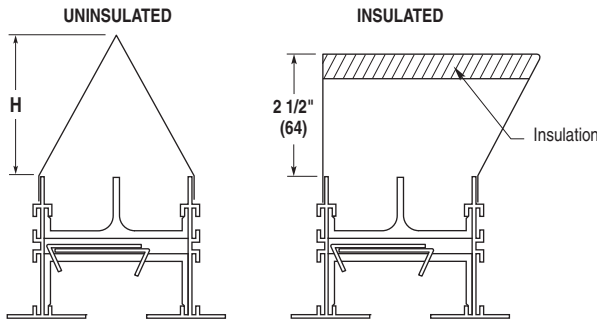
Return Hood / Sight Shield

Uninsulated:

- FLR10 • 1" (25) Slot
- FLR15 • 1 1/2" (38) Slot
- FLR20 • 2" (51) Slot
- FLR25 • 2 1/2" (64) Slot
- FLR30 • 3" (76) Slot

Insulated:

- FLRI10 • 1" (25) Slot
- FLRI15 • 1 1/2" (38) Slot
- FLRI20 • 2" (51) Slot
- FLRI 25 • 2 1/2" (64) Slot
- FLRI 30 • 3" (76) Slot



51% free area perforated corrosion resistant steel, painted flat black. Provided in 48" (1219) lengths. Field cut to length.

| No. of Slots | Slot Width | H (Height) |
|--------------|------------|-------------|
| 1 | 1 (25) | 3 3/8 (86) |
| | 1 1/2 (38) | 3 3/8 (86) |
| | 2 (51) | 3 3/8 (86) |
| | 2 1/2 (64) | 3 3/8 (86) |
| | 3 (76) | 3 3/8 (86) |
| 2 | 1 (25) | 2 1/8 (54) |
| | 1 1/2 (38) | 3 1/8 (79) |
| | 2 (51) | 4 1/8 (105) |
| | 2 1/2 (64) | 5 1/8 (130) |
| | 3 (76) | 6 1/8 (156) |

SCHEDULE TYPE

PROJECT

ENGINEER

CONTRACTOR

Page 1 of 3
 Dimensions are in inches (mm).

DATE

B SERIES

SUPERSEDES

DRAWING NO.

1 - 25 - 11

FL

10 - 20 - 09

FLAC-1

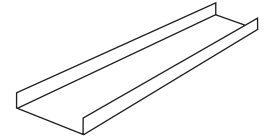


FLOWLINE™ LINEAR SLOT DIFFUSERS
 ARCHITECTURAL • ALUMINUM
 OPTIONS AND ACCESSORIES
 MODEL SERIES: FLH AND FLV

Blank-Offs

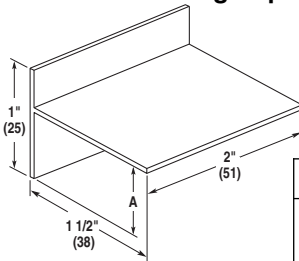
- FLBO10 • 1" (25) Slot
- FLBO15 • 1 1/2" (38) Slot
- FLBO20 • 2" (51) Slot
- FLBO25 • 2 1/2" (64) Slot
- FLBO30 • 3" (76) Slot

Corrosion resistant steel, painted flat black. Fits in neck of diffuser. Provided in 48" (1219) lengths. Field cut to length.



Mounting Clips

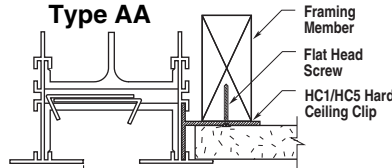
- HC1 Hard Ceiling Clip 5/8"
- HC5 Hard Ceiling Clip 1/2"



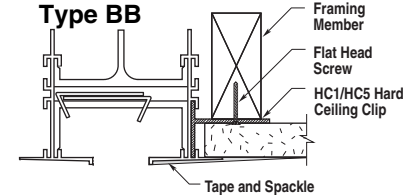
| | A Dim. |
|-----|-----------|
| HC1 | 5/8" (16) |
| HC5 | 1/2" (13) |

The HC1 and HC5 Hard Ceiling Clip can be used to mount the FlowLine™ assembly with frame / border types AA, BB or GG, where 5/8" (16) or 1/2" (13) gypsum wallboard (drywall) is used.

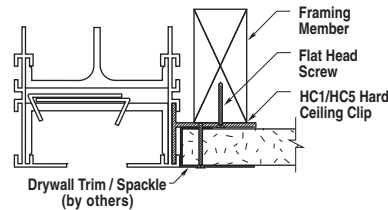
- Exposed Flange Frame Type AA



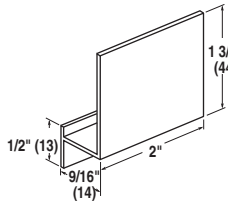
- Concealed Frame Type BB



- Flangeless Flush Frame Type GG

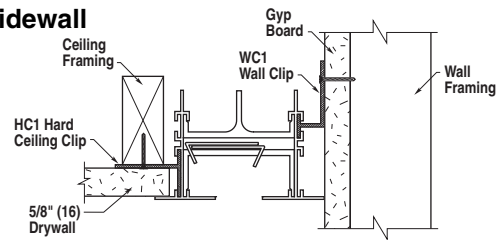


- WC1 Wall Clip

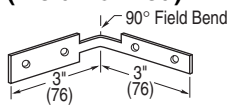


The WC1 WallClip is used to mount the FlowLine™ assembly with frame / border type AA flush to a wall.

- Ceiling / Sidewall Type AA

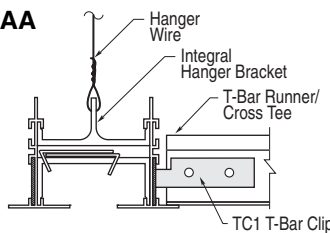


- TC1 T-Bar Clip (Field Formed)

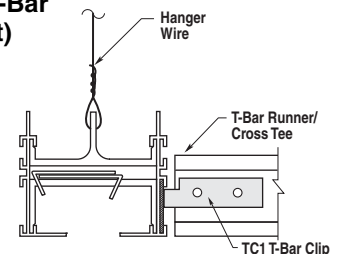


The TC1 T-Bar Clip is used to attach drop tees to the FlowLine™ assembly.

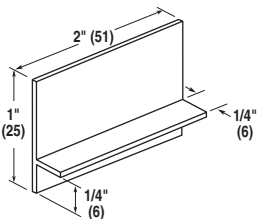
- Ceiling T-Bar Type AA



- Ceiling T-Bar (Bolt Slot) Type GG

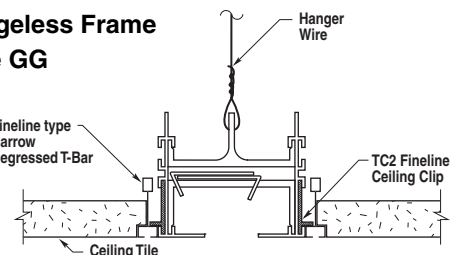


- TC2 Finline T-Bar Clip



The TC2 Finline T-Bar Clips are used to support and level the Flowline™ assembly in Bolt-Slot (Finline type) suspension systems.

- Flangeless Frame Type GG



SCHEDULE TYPE

PROJECT

ENGINEER

CONTRACTOR

Page 2 of 3
 Dimensions are in inches (mm).

DATE

B SERIES

SUPERSEDES

DRAWING NO.

1 - 25 - 11

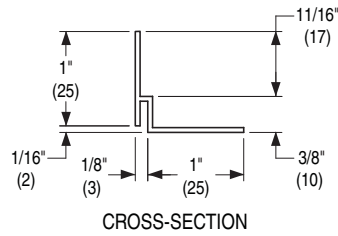
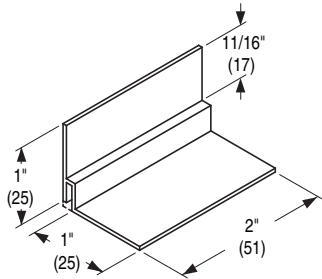
FL

10 - 20 - 09

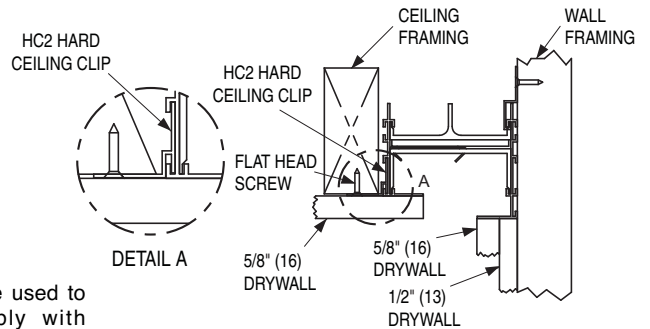
FLAC-1

Mounting Clips

HC2 Hard Ceiling Clip

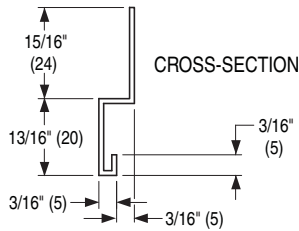
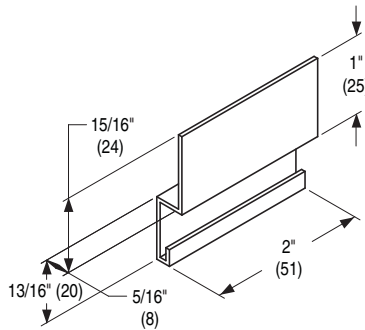


The HC2 Hard Ceiling Clip can be used to mount the FlowLine™ assembly with frame/border type **G**, where standard 5/8" (16) gypsum wallboard (drywall) is installed below the frame face.

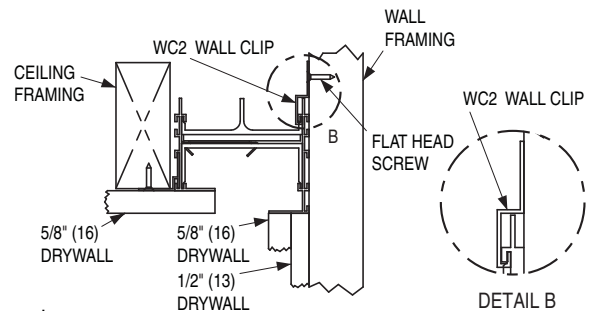


Flangeless Concealed Frame Type GJ

WC2 Wall Clip

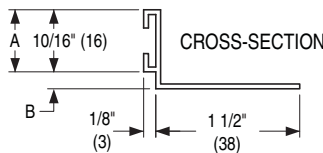
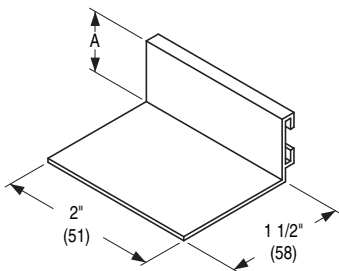


The WC2 Wall Clip can be used to mount the FlowLine™ assembly with frame/border types **G** or **J**, flush to a wall.

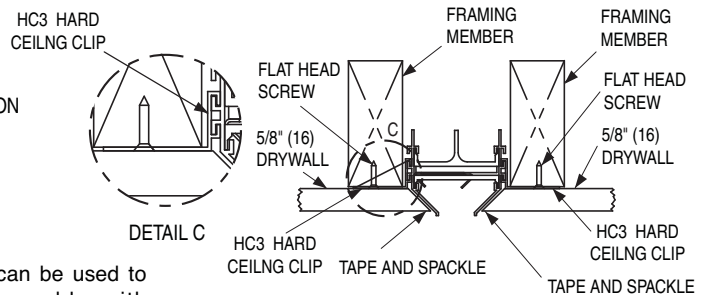


Flangeless Concealed Frame Type GJ

HC3 Hard Ceiling Clip for Type K Border



The HC3 Hard Ceiling Clip can be used to mount the FlowLine™ assembly with frame/border type **K**, where standard 5/8" (16) gypsum wallboard (drywall) is used.



Flangeless Concealed Frame Type KK

| Flowline | Part No. | A Dim. | B Dim. |
|----------|----------|-------------|------------|
| FLH10 | HC3-10 | 13/16 (21) | 3/16 (5) |
| FLH20 | HC3-15 | 1 1/6 (27) | 7/16 (11) |
| FLH30 | HC3-20 | 1 5/16 (33) | 11/16 (17) |

SCHEDULE TYPE

PROJECT

ENGINEER

CONTRACTOR

Page 3 of 3
 Dimensions are in inches (mm).

DATE

B SERIES

SUPERSEDES

DRAWING NO.

1 - 25 - 11

FL

10 - 20 - 09

FLAC-1