



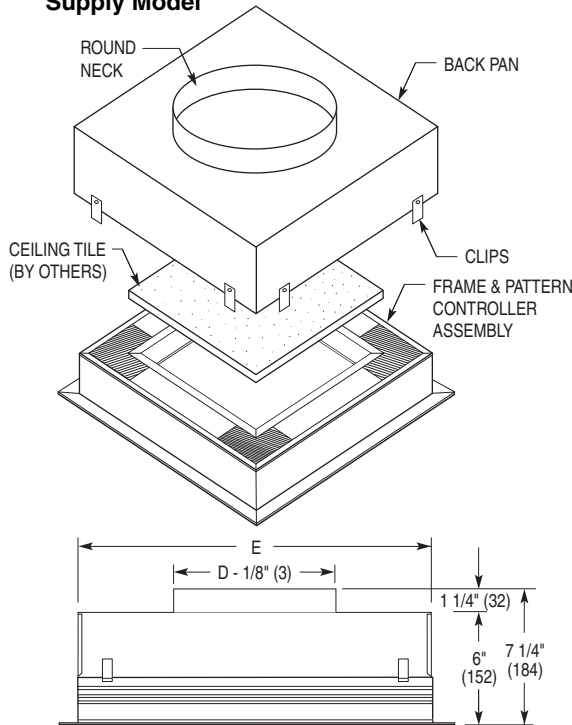
MODULAR FLOWLINE™ SQUARE CEILING DIFFUSER
COMPLIMENTS FLOWLINE™ LINEAR DIFFUSER SYSTEM
1" (25) SLOT • LAY-IN T-BAR AND HARD CEILINGS
MODEL SERIES: FM(I)10 AND FMR10

Models:

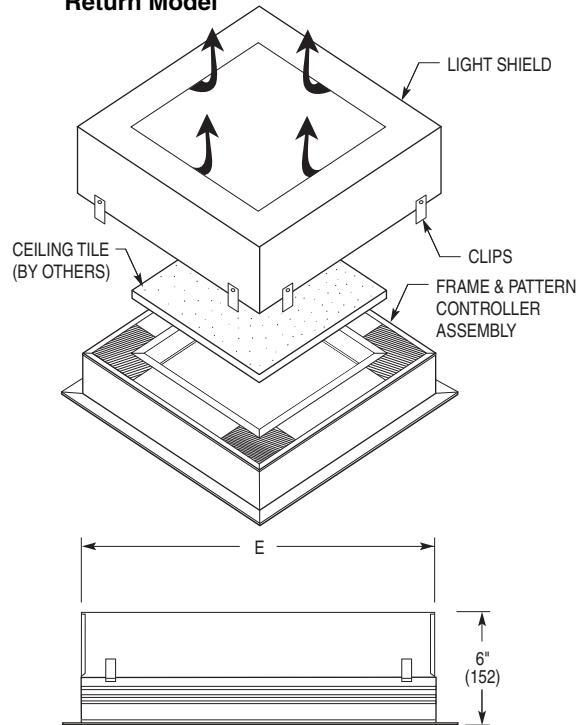
- FM10** • Supply • 1" (25) Slot • Round Neck • Uninsulated
- FMI10** • Supply • 1" (25) Slot • Round Neck • Internal Insulation
- FMR10** • Return • 1" (25) Slot

Standard Ceiling Module (CM) Sizes:
Imperial 24" x 24" (610 x 610) • Metric 600 x 600mm

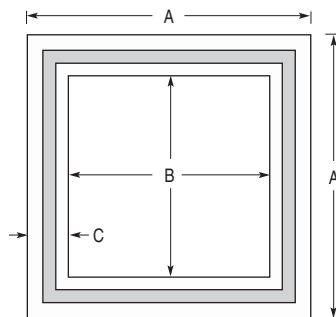
Supply Model



Return Model



Face View



Ceiling Tile Cutting Dimensions

Models	Border Type	Imperial Module 24" x 24" (610 x 610)	Metric Module 600 x 600
FM(I)10, FMR10	AA	17 3/16 x 17 3/16 (437 x 437)	427 x 427

Dimensional Data:

Models	Imperial Module 24" x 24" (610 x 610)				Metric Module 600 x 600			
	A	B	C	E	A	B	C	E
FM(I)10, FMR10	23 3/4 (603)	16 5/8 (422)	3 9/16 (90)	22 15/16 (583)	594	413	90	573

Standard Round Inlet Sizes (Supply Units): (Nominal D Dia.) 6", 8", 10" (152, 203, 254).

Description:

1. Extruded aluminum construction with corrosion resistant steel pattern controllers.
2. Factory precision welding on all mitered corners.
3. Pattern controllers are individually adjustable for horizontal or vertical discharge air patterns.
4. Can be field adjusted for one, two, three or four-way blow direction air patterns.
5. Adjustable dual pattern controller design permits both dampering and full shut-off without adding blank-offs.
6. Supply diffusers have a round neck for flexible or hard duct connection.
7. Matching return air units for ductless plenum return applications incorporate a light shield to block out light and prevent see-through.
8. Plenum is secured with steel S-clips and is easily removed for installation of a field-cut ceiling tile (by others) into the face of the diffuser.
4. Standard finish is AW Appliance White face with black pattern controllers. Other finishes are available.

SCHEDULE TYPE:

PROJECT:

ENGINEER:

CONTRACTOR:

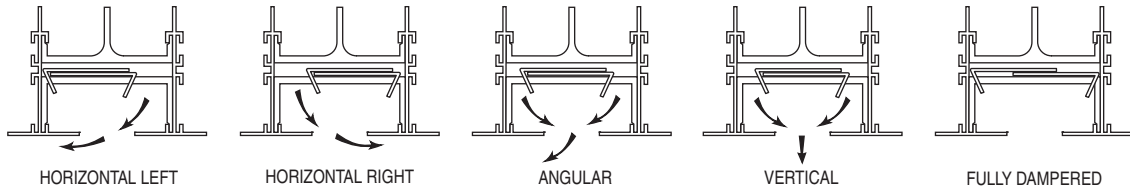
Page 1 of 2
 Dimensions are in inches (mm).

DATE	B SERIES	SUPERSEDES	DRAWING NO.
1 - 11 - 11	FM	NEW	FM10-1

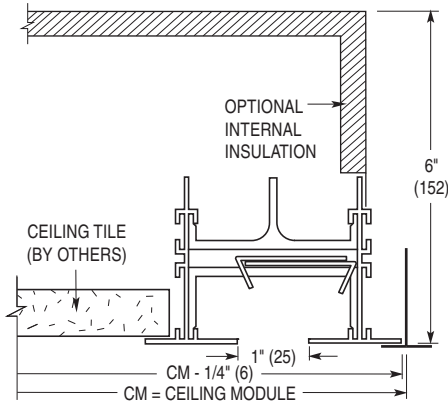


MODULAR FLOWLINE™ SQUARE CEILING DIFFUSER
 COMPLIMENTS FLOWLINE™ LINEAR DIFFUSER SYSTEM
 1" (25) SLOT • LAY-IN T-BAR AND HARD CEILINGS
 MODEL SERIES: FM(I)10 AND FMR10

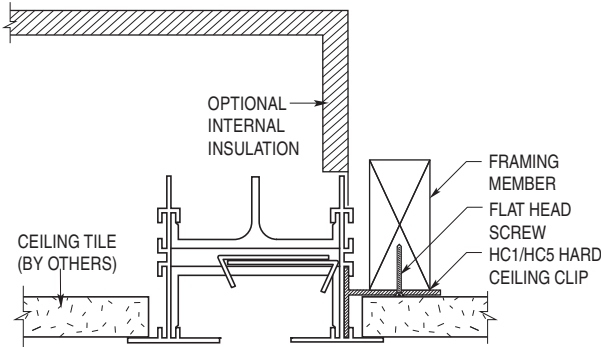
FM Series Horizontal High Throw Adjustment



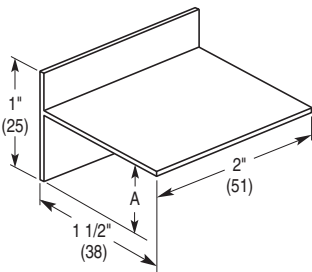
Standard Mounting Style
Lay-in T-Bar Ceiling • Type AA Frame
 For Installation with 15/16" (24) or 9/16" (14) Flat T-Bar only



Optional Mounting Styles
Surface Mount Application in Hard Ceiling • Type AA Frame



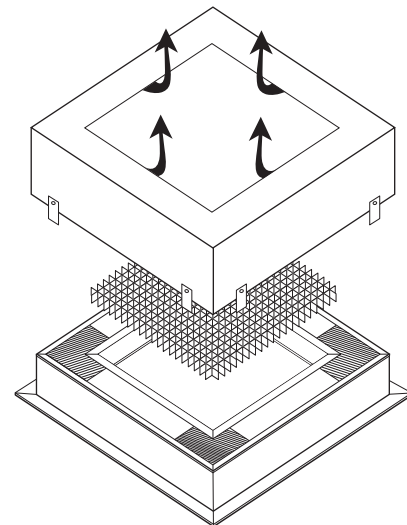
- HC1 Hard Ceiling Clip 5/8" (16)
- HC5 Hard Ceiling Clip 1/2" (13)



	A Dim.
HC1	5/8" (16)
HC5	1/2" (13)

The HC1 and HC5 Hard Ceiling Clip can be used to mount the FlowLine™ Square Ceiling Diffuser with frame/border Type AA, where standard 5/8" (16) or 1/2" (13) gypsum wallboard (drywall) is used.

- High Capacity Return (Optional)**
 1/2" x 1/2" x 1/2" (13 x 13 x 13) Aluminum Grid Face



SCHEDULE TYPE:

PROJECT:

ENGINEER:

CONTRACTOR:

Page 2 of 2
 Dimensions are in inches (mm).

DATE	B SERIES	SUPERSEDES	DRAWING NO.
1 - 11 - 11	FM	NEW	FM10-1