



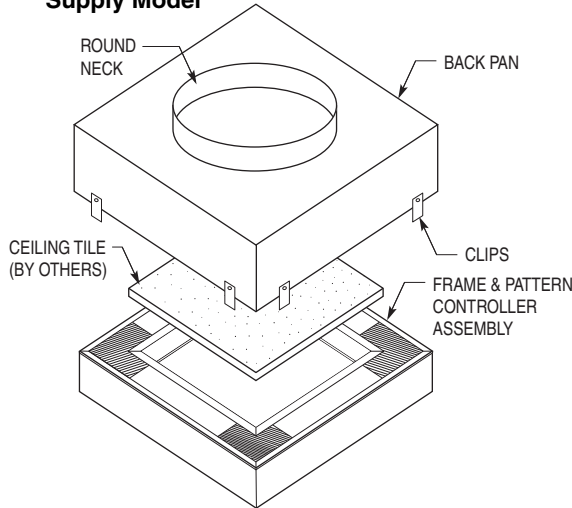
MODULAR FLOWLINE™ SQUARE CEILING DIFFUSER
COMPLIMENTS FLOWLINE™ LINEAR DIFFUSER SYSTEM
1" (25) SLOT • BOLT SLOT (FINELINE™) T-BAR
MODEL SERIES: FMB(I)10 AND FMBR10

Models:

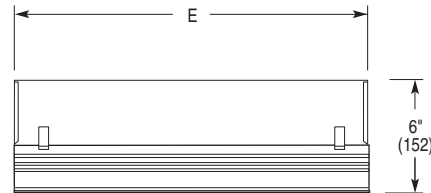
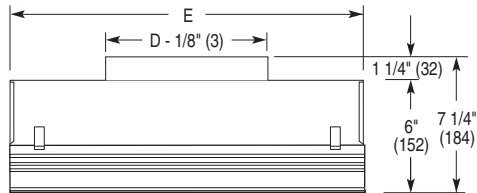
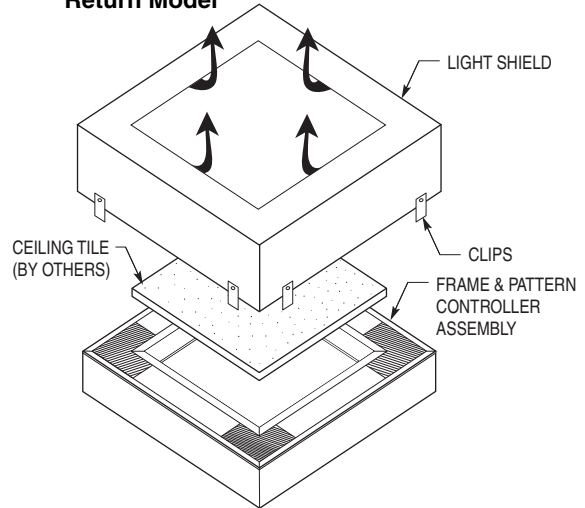
- FMB10** • Supply • 1" (25) Slot • Round Neck • Uninsulated
- FMBI10** • Supply • 1" (25) Slot • Round Neck • Internal Insulation
- FMBR10** • Return • 1" (25) Slot

Standard Ceiling Module (CM) Sizes:
Imperial 24" x 24" (610 x 610) • Metric 600 x 600mm

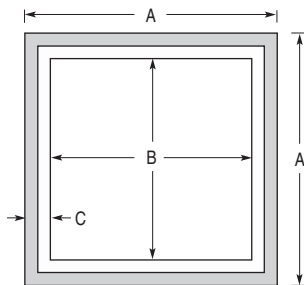
Supply Model



Return Model



Face View



Ceiling Tile Cutting Dimensions

Models	Border Type	Imperial Module 24" x 24" (610 x 610)	Metric Module 600 x 600
FMB(I)10, FMBR10	AG	17 5/8 x 17 5/8 (448 x 448)	438 x 438

Dimensional Data:

Models	Imperial Module 24" x 24" (610 x 610)				Metric Module 600 x 600			
	A	B	C	E	A	B	C	E
FMB(I)10, FMBR10	23 3/8 (594)	17 1/16 (433)	3 5/32 (80)	22 9/16 (573)	584	423	80	584

Standard Round Inlet Sizes (Supply Units): (Nominal D Dia.) 6", 8", 10" (152, 203, 254).

Description:

1. Extruded aluminum construction with corrosion resistant steel pattern controllers.
2. Factory precision welding on all mitered corners.
3. Pattern controllers are individually adjustable for horizontal or vertical discharge air patterns.
4. Can be field adjusted for one, two, three or four-way blow direction air patterns.
5. Adjustable dual pattern controller design permits both dampering and full shut-off without adding blank-offs.
6. Supply diffusers have a round neck for flexible or hard duct connection.
7. Matching return air units for ductless plenum return applications incorporate a light shield to block out light and prevent see-through.
8. Plenum is secured with steel S-clips and is easily removed for installation of a field-cut ceiling tile (by others) into the face of the diffuser.
4. Standard finish is AW Appliance White face with black pattern controllers. Other finishes are available.

SCHEDULE TYPE:

PROJECT:

ENGINEER:

CONTRACTOR:

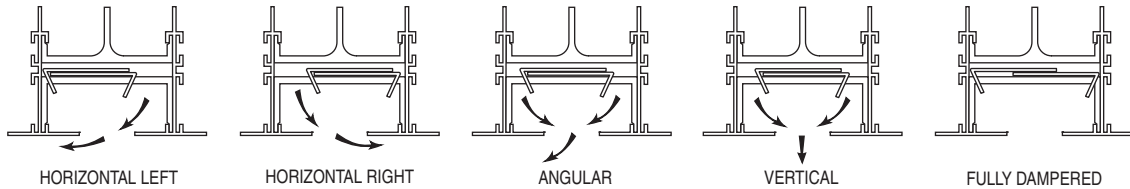
Page 1 of 2
 Dimensions are in inches (mm).

DATE	B SERIES	SUPERSEDES	DRAWING NO.
1 - 11 - 11	FM	NEW	FMB10-1

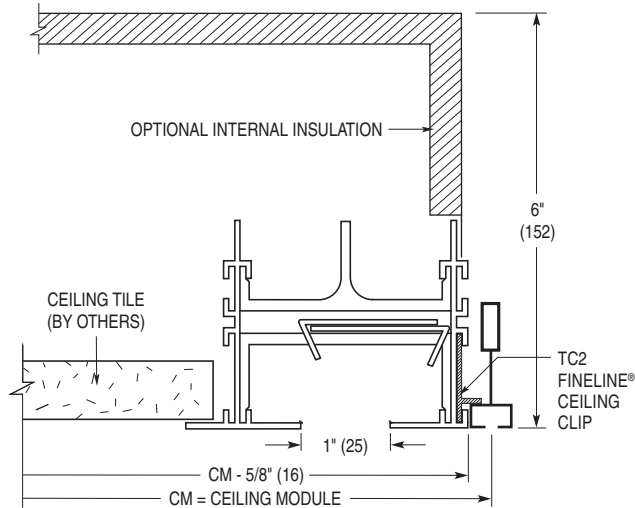


MODULAR FLOWLINE™ SQUARE CEILING DIFFUSER
 COMPLIMENTS FLOWLINE™ LINEAR DIFFUSER SYSTEM
 1" (25) SLOT • BOLT SLOT (FINELINE™) T-BAR
 MODEL SERIES: FMB(I)10 AND FMBR10

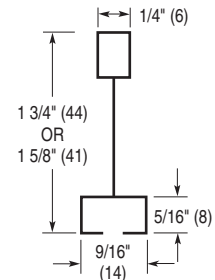
FM Series Horizontal High Throw Adjustment



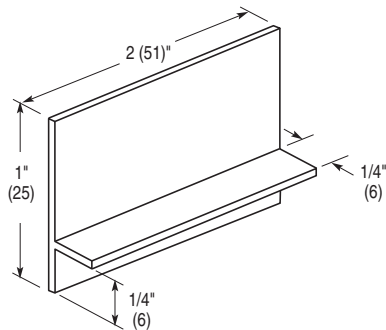
Standard Mounting Style
Bolt-Slot (Fineline® Type) Ceiling • Type AG Frame



Typical Bolt-Slot (Fineline® Type) T-Bar Detail

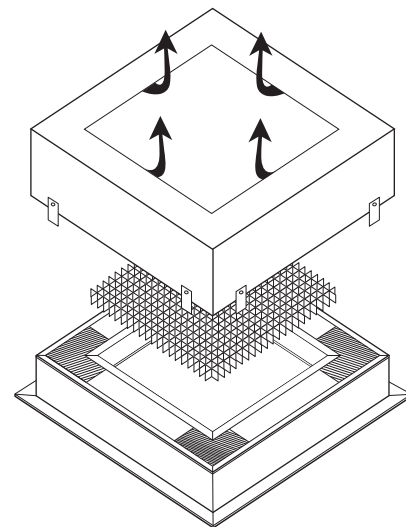


TC2 Fineline® T-Bar Clip (Standard)



The TC2 Fineline™ T-Bar Clips are used to support and level the FlowLine™ assembly in Bolt Slot (Fineline™ type) suspension systems.

High Capacity Return (Optional)
 1/2" x 1/2" x 1/2" (13 x 13 x 13) Aluminum Grid Face



*Fineline® is a registered trademark of USG Interiors Inc.

SCHEDULE TYPE:

PROJECT:

ENGINEER:

CONTRACTOR:

DATE

B SERIES

SUPERSEDES

DRAWING NO.

1 - 11 - 11

FM

NEW

FMB10-1

Page 2 of 2

Dimensions are in inches (mm).