



# UNDERFLOOR FAN BOOSTER UNIT WITH ECM MOTOR

## VARIABLE OR CONSTANT VOLUME

### MODELS: 38F, 38FW AND 38FE • UNIT SIZE 6

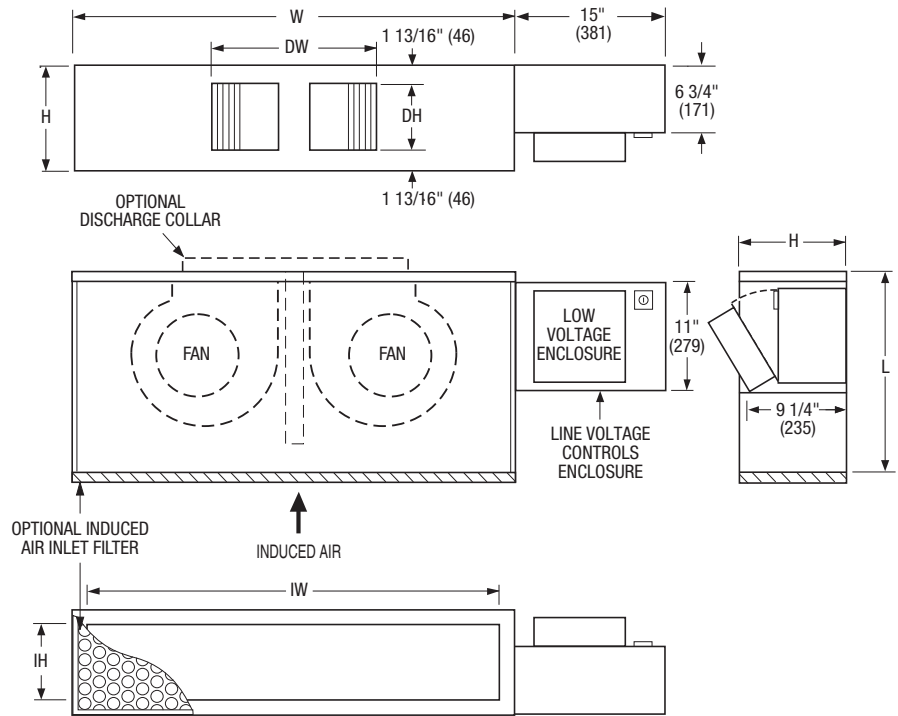
#### STANDARD FEATURES:

- 20 ga. (1.0) galvanized steel casing components.
- Full size top access panel.
- Enclosures for damper actuators.
- Discharge opening designed for flanged duct connection.
- 1/2" (13) dual density insulation, exposed edges coated to prevent air erosion. Meets requirements to NFPA 90A and UL181.
- Ultra-high efficiency ECM fan motor. EPIC fan volume controller.
- Motor blower assembly mounted on special 16 ga. (1.6) angles and isolated from casing with rubber isolators.
- Single point electrical connection.
- Top access hinged door on the line voltage/fan controls enclosure.
- Controls mounted as standard on RH side as shown. (LH controls location is optional).

#### OPTIONS:

- Toggle disconnect switch.
- Fiber-free liner.
- Perforated metal liner.
- Steri-liner.
- Isolator pads.
- Fan Unit fusing.
- Left hand controls location.
- Discharge collar. Flat oval transition for flexible duct connection. 14" (17 3/8" x 7 3/4").
- Special features: \_\_\_\_\_.

#### Model 38F Basic Unit



#### Dimensional Data. Imperial Units (inches)

| Unit Size | W  | H      | L  | Inlet IW x IH | Outlet Discharge DW x DH | Filter Size |
|-----------|----|--------|----|---------------|--------------------------|-------------|
| 6         | 44 | 10 1/2 | 21 | 41 x 7 1/2    | 16 1/2 x 6 7/8           | 42 x 10     |

#### Dimensional Data. Metric Units (mm)

| Unit Size | W    | H   | L   | Inlet IW x IH | Outlet Discharge DW x DH | Filter Size |
|-----------|------|-----|-----|---------------|--------------------------|-------------|
| 6         | 1118 | 267 | 533 | 1041 x 191    | 419 X 175                | 1067 x 254  |

#### Electrical Data

| Unit Size | Motor H. P. | ECM Motor |          |              |          |
|-----------|-------------|-----------|----------|--------------|----------|
|           |             | Voltage   | 120/1/60 | 208/240/1/60 | 277/1/60 |
| 6         | 2@1/3       | Watts     | 840      | 840          | 890      |
|           |             | FLA       | 10.2     | 5.3          | 5.9      |



FLA = Full load amperage

SCHEDULE TYPE:

PROJECT:

ENGINEER:

CONTRACTOR:

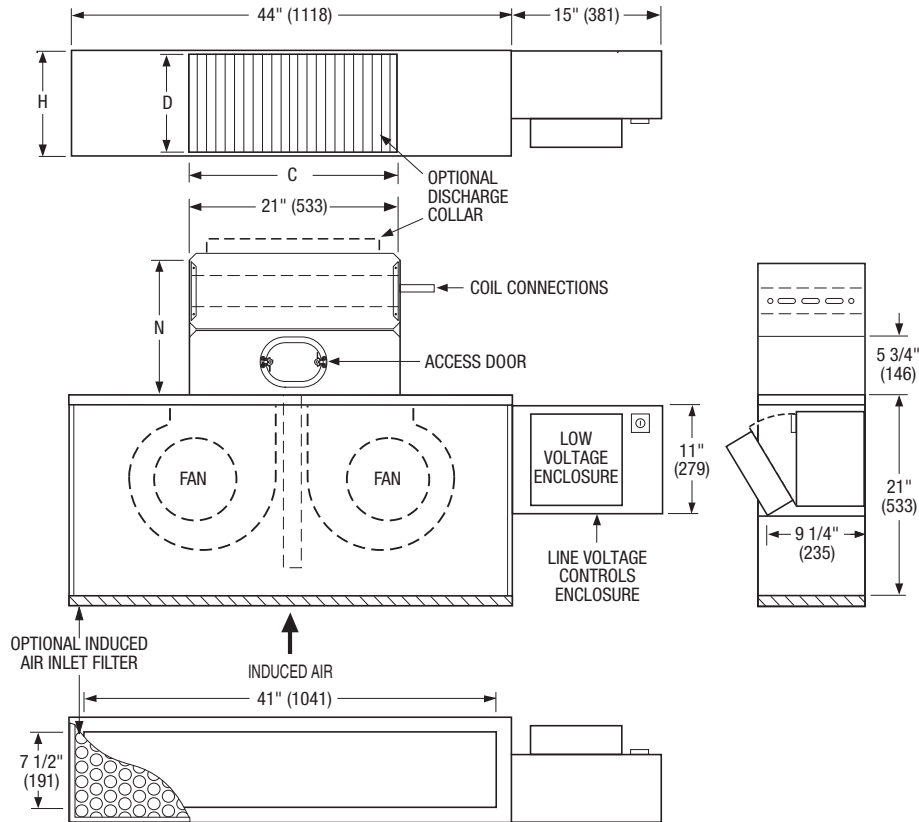
Page 1 of 3  
Dimensions are in inches (mm).

| DATE        | B SERIES | SUPERSEDES  | DRAWING NO. |
|-------------|----------|-------------|-------------|
| 8 - 20 - 08 | 38F      | 8 - 13 - 07 | 38F-6       |



**UNDERFLOOR FAN BOOSTER UNIT WITH  
ECM MOTOR  
VARIABLE OR CONSTANT VOLUME • HOT WATER HEAT  
MODEL: 38FW • UNIT SIZE 6**

Hot Water Coil Section Model 38FW



**Standard Features:**

- Coil section installed on unit discharge.
- 1/2" (13) copper tubes.
- Aluminum ripper fins.
- Sweat connections: One Row 1/2" (13) O.D. male solder. Two and three row 7/8" (22) O.D. male solder.
- Top access door for inspection and coil cleaning.
- Slip and drive discharge duct connection.

**Coil Rows:**

- 1-Row    2-Row    3-Row

**Coil Connections:**

(Looking in direction of airflow).

- Right hand (illustrated). Standard.
- Left hand. Optional.

**Option:**

- Discharge collar.  
14" (356) flat oval transition for flexible duct connection  
17 3/8" x 7 3/4" (441 x 197).

| Unit Size | Imperial Units (inches) |        |        | Metric Units (mm)      |     |     |
|-----------|-------------------------|--------|--------|------------------------|-----|-----|
|           | Outlet Discharge C x D  | H      | N      | Outlet Discharge C x D | H   | N   |
| 6         | 21 x 10                 | 10 1/2 | 14 1/2 | 533 X 254              | 261 | 368 |

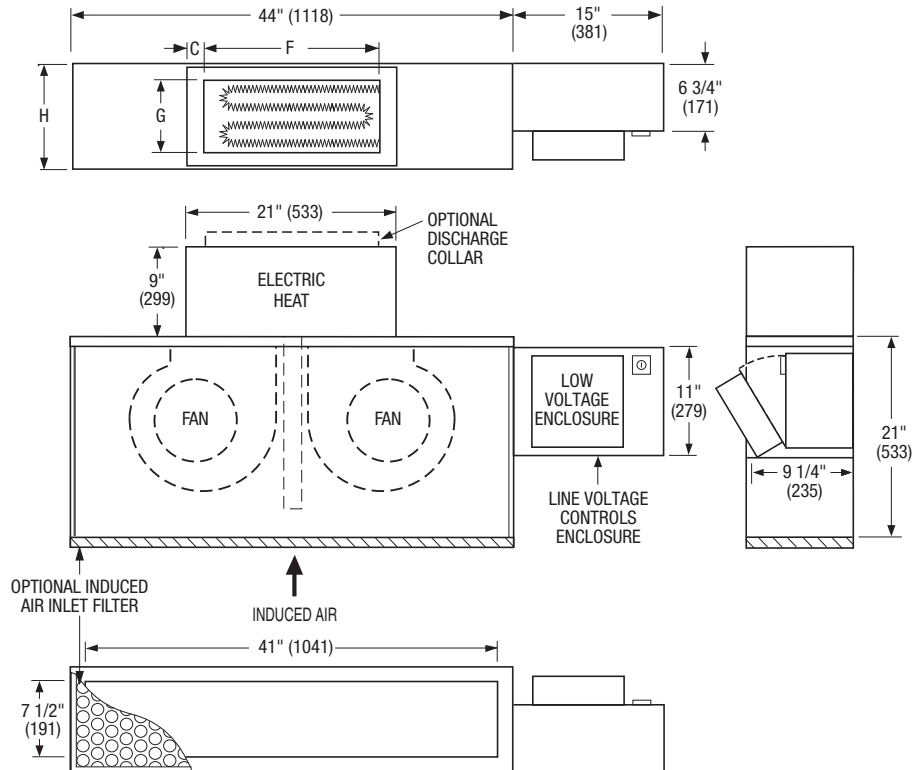


|                       |             |                 |                   |                    |
|-----------------------|-------------|-----------------|-------------------|--------------------|
| <b>SCHEDULE TYPE:</b> |             |                 |                   |                    |
| <b>PROJECT:</b>       |             |                 |                   |                    |
| <b>ENGINEER:</b>      | <b>DATE</b> | <b>B SERIES</b> | <b>SUPERSEDES</b> | <b>DRAWING NO.</b> |
| <b>CONTRACTOR:</b>    | 8 - 20 - 08 | 38F             | 8 - 13 - 07       | 38F-6              |



**UNDERFLOOR FAN BOOSTER UNIT WITH ECM MOTOR**  
**VARIABLE OR CONSTANT VOLUME • ELECTRIC HEAT**  
**MODEL: 38FE • UNIT SIZE 6**

**Electric Coil Section Model 38FE**



**Standard Features:**

- Coil installed on unit discharge.
- Insulated heater element wrapper.
- Automatic reset high limit cut-outs (one per element).
- Flanged outlet duct connection.
- Airflow safety switch to prove airflow.
- Single point electrical connection for entire terminal unit.
- Terminal unit with heater is ETL listed as an assembly.
- Controls mounted as standard on RH side as shown.

**Voltage:**

Single phase, 60 Hz.

- 208V    240V    277V

Three phase, 60 Hz.

- 208V    480V (4 wire wye).    \_\_\_\_\_ .

**Options:**

- Toggle disconnect switch.
- Door interlock disconnect switch.
- Mercury contactors.
- Power circuit fusing.
- Class 'A' 80/20 Ni./Cr. Wire.
- Dust tight construction.
- Manual reset secondary thermal cut out.
- Discharge collar. 14" (356) flat oval transition for flexible duct connection 17 3/8" x 7 3/4" (441 x 197).

| Unit Size | Imperial Units (inches) |        |         | Metric Units (mm)      |     |    |
|-----------|-------------------------|--------|---------|------------------------|-----|----|
|           | Outlet Discharge F x G  | H      | C       | Outlet Discharge F x G | H   | C  |
| 6         | 17 5/8 x 7 1/4          | 10 1/2 | 1 11/16 | 448 X 184              | 261 | 43 |



|                       |             |                 |                   |                    |
|-----------------------|-------------|-----------------|-------------------|--------------------|
| <b>SCHEDULE TYPE:</b> |             |                 |                   |                    |
| <b>PROJECT:</b>       |             |                 |                   |                    |
| <b>ENGINEER:</b>      | <b>DATE</b> | <b>B SERIES</b> | <b>SUPERSEDES</b> | <b>DRAWING NO.</b> |
| <b>CONTRACTOR:</b>    | 8 - 20 - 08 | 38F             | 8 - 13 - 07       | 38F-6              |