



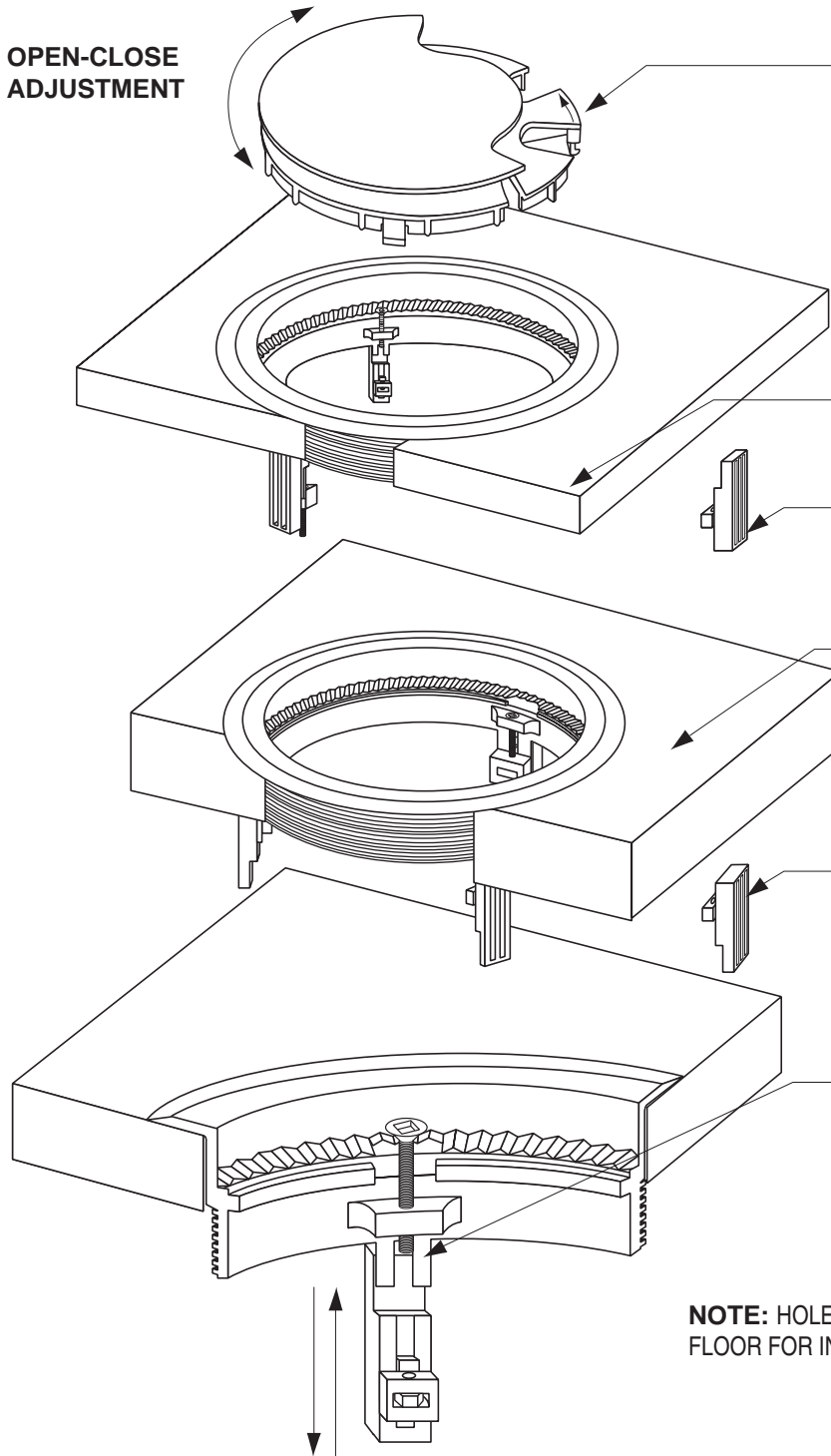
FLOOR ACCESS OUTLET INSTALLATION INSTRUCTIONS

FASTENING: ADJUSTABLE MOUNTING CLAMPS

8" (203) NOM. DIA.

MODEL: NFA

**OPEN-CLOSE
ADJUSTMENT**



ACCESS OUTLET:

TOP LID

SERVICE OUTLET LID

SIMPLY DROP IN PLACE AFTER TRIM RING INSTALLATION. ENSURE THE THREE LUGS ON THE SERVICE OUTLET LID ENGAGE INTO THE TRIM RING LOCATING GROOVES AND ROTATE OPPOSITE THE DIRECTION SHOWN BY THE MARK ARROW TO THE DESIRED POSITION.

TRIM RING

ASSEMBLY OPTION 1

WHEN FLOOR IS

1/4" (6) – 1 1/2" (38)

INSTALL THE THREE MOUNTING CLAMPS WITH THE LONG EXTENSION FACING UPWARDS.

ASSEMBLY OPTION 2

WHEN FLOOR IS

1 1/2" (38) – 2" (51)

INSTALL THE THREE MOUNTING CLAMPS WITH THE SHORT EXTENSION FACING UPWARDS.

DETAIL OF

1ST ASSEMBLY OPTION

NOTE: HOLE OPENING REQUIREMENT IN FLOOR FOR INSTALLATION 8 1/4" (210) DIA.

SCHEDULE TYPE:	
PROJECT:	
ENGINEER:	
CONTRACTOR:	

Dimensions are in inches (mm).

DATE	B SERIES	SUPERSEDES	DRAWING NO.
2 - 12 - 07	NFA	5 - 29 - 03	NFA-2