

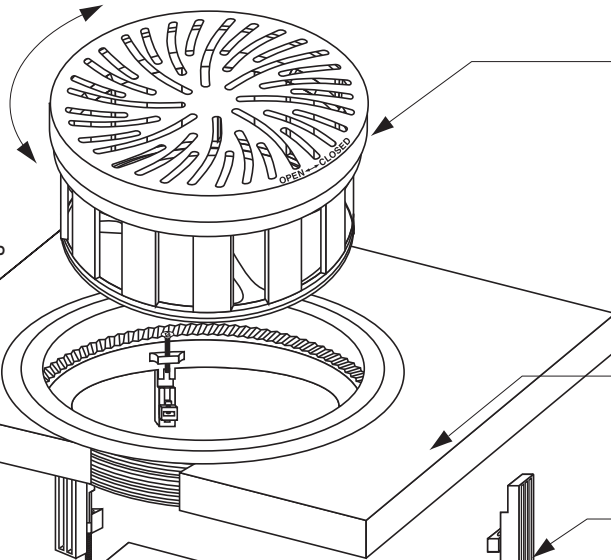


FLOOR "SWIRL" DIFFUSER INSTALLATION INSTRUCTIONS
 ROUND • SIZE 8 AND 10 (COMPLETE ASSEMBLY)
 FASTENING: MC OR PFG
 MODELS: ANFD AND NFD

MC MOUNTING CLAMPS (STD.)

OPEN-CLOSE ADJUSTMENT

SIMPLY ROTATE THE DIFFUSER CORE TO CHANGE THE AIRFLOW. MINIMUM VOLUME STOP MAY BE ADJUSTED AS REQUIRED (5/32" (4) ALLEN KEY).

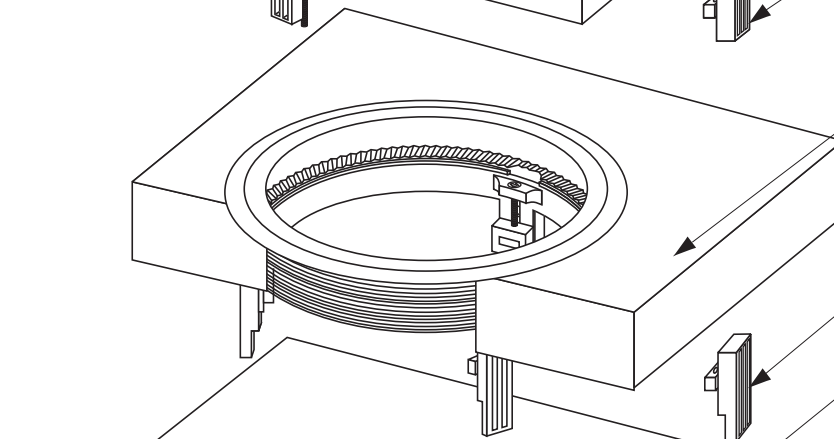


CORE ASSEMBLY. DIFFUSER CORE FLOW REGULATOR AND COLLECTION BASKET

SIMPLY DROP IN PLACE AFTER TRIM RING INSTALLATION. ENSURE THE THREE LUGS ON THE BASKET ALIGN WITH THE RECESSES IN THE TRIM RING SO THAT THE FACE OF THE CORE IS FLUSH WITH THE TRIM RING. (THE DIFFUSER CORE MAY ALSO BE INSTALLED ON ITS OWN WITHOUT THE DAMPER AND/OR BASKET).

TRIM RING ASSEMBLY OPTION 1 WHEN FLOOR IS 1/4" (6) – 1 1/2" (38)

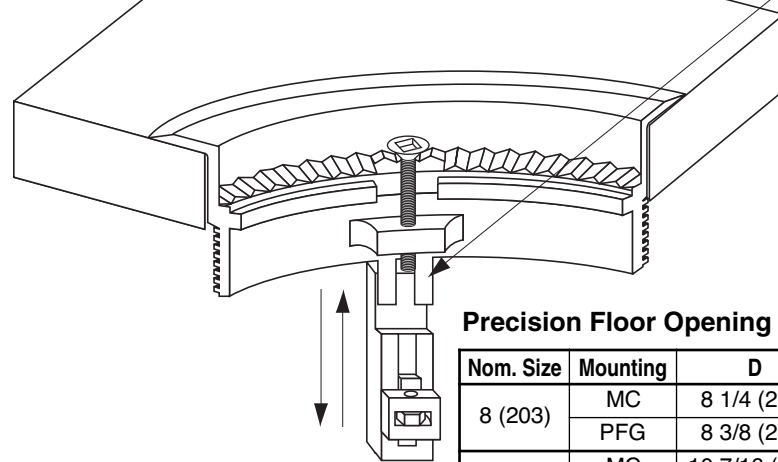
INSTALL THE THREE MOUNTING CLAMPS WITH THE LONG EXTENSION FACING UPWARDS.



ASSEMBLY OPTION 2 WHEN FLOOR IS 1 1/2" (38) – 2" (51)

INSTALL THE THREE MOUNTING CLAMPS WITH THE SHORT EXTENSION FACING UPWARDS.

DETAIL OF 1ST ASSEMBLY OPTION

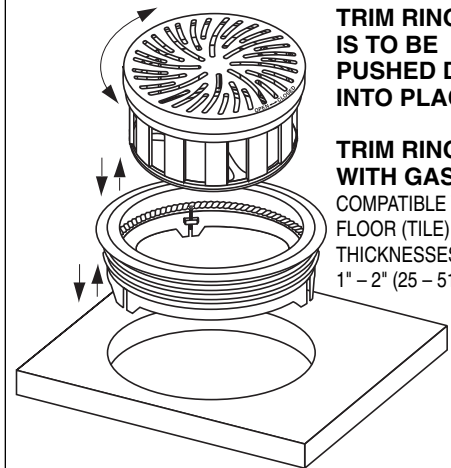


Precision Floor Opening Dia.

Nom. Size	Mounting	D
8 (203)	MC	8 1/4 (210)
	PFG	8 3/8 (213)
10 (254)	MC	10 7/16 (265)
	PFG	10 9/16 (268)

Tolerance: +/- 1/32 (0.8).

PFG PRESS FIT GASKET (OPTIONAL)



TRIM RING IS TO BE PUSHED DOWN INTO PLACE

TRIM RING WITH GASKET COMPATIBLE WITH FLOOR (TILE) THICKNESSES OF 1" – 2" (25 – 51).

Dimensions are in inches (mm).

SCHEDULE TYPE:

PROJECT:

ENGINEER:

CONTRACTOR:

DATE

B SERIES

SUPERSEDES

DRAWING NO.

2 - 10 - 11

NFD

9 - 28 - 09

NFD-3