



**FLOOR "SWIRL" DIFFUSER ACCESSORY  
DIRT BASKET / DAMPER EXTENSION  
(DIFFUSER MODELS ANFD & NFD)  
OPTION CODE: BDEX**

BDEX Basket/Damper Extension

**DESCRIPTION:**

The BDEX Dirt Basket / Damper Extension permits the installation of Nailor Model ANFD and NFD Round Floor Diffusers in poured concrete floors or other solid or blocked floors over 2" (51) and up to 9" (229) thick, that are deeper than standard raised access floor tiles.

The BDL Dirt Basket / Damper assembly sits in the bottom of a coated steel sleeve extension. The outer basket has three tabs which locate in three slots in the bottom of the sleeve to prevent rotation.

The manually adjusted flow regulator damper is accessible by removing the diffuser core face and reaching down inside to permit field balancing.

See submittal ANFD-1 or NFD-1 for diffuser details.

Standard BDEX depth is 9" (229). Other custom lengths are available.

Specify \_\_\_\_\_ .

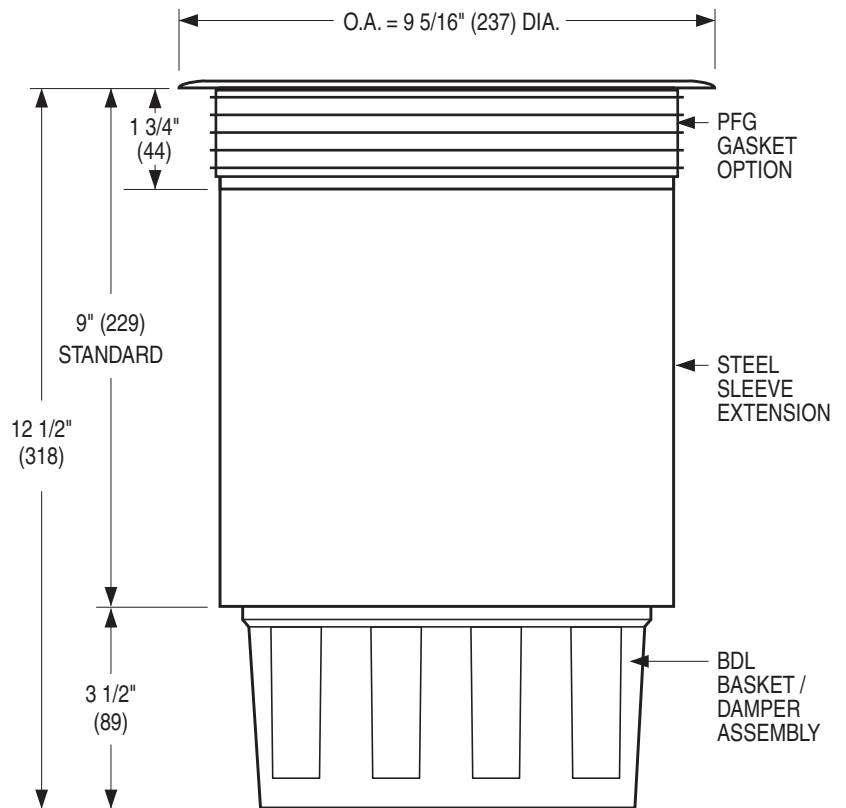
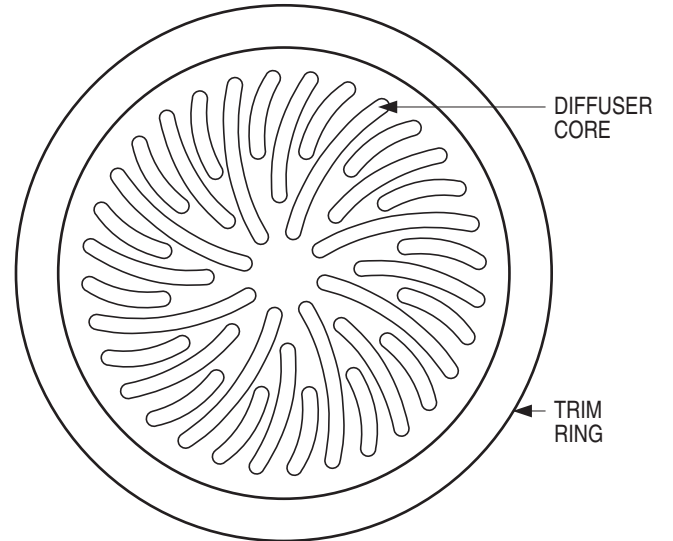
**ACCESSORY:**

CLC Core Locking Clips

**INSTALLATION:**

The diffuser can be supplied with an optional PFG Press Fit Gasket, but the hole opening tolerance required to ensure secure installation may be difficult to achieve in a poured concrete floor slab or other thick floor.

To ensure a secure diffuser installation in the opening, it is recommended that the diffuser trim ring be caulked in place.



**NOTE:** Hole opening requirement in floor for installation = 8.375" (213) diameter. Tolerance +/- 0.03125" (0.8)

<b>SCHEDULE TYPE</b>		Dimensions are in inches (mm).			
<b>PROJECT</b>					
<b>ENGINEER</b>	<b>DATE</b>	<b>B SERIES</b>	<b>SUPERSEDES</b>	<b>DRAWING NO.</b>	
<b>CONTRACTOR</b>	2 - 28 - 11	NFD	4 - 15 - 09	NFD-BDEX	